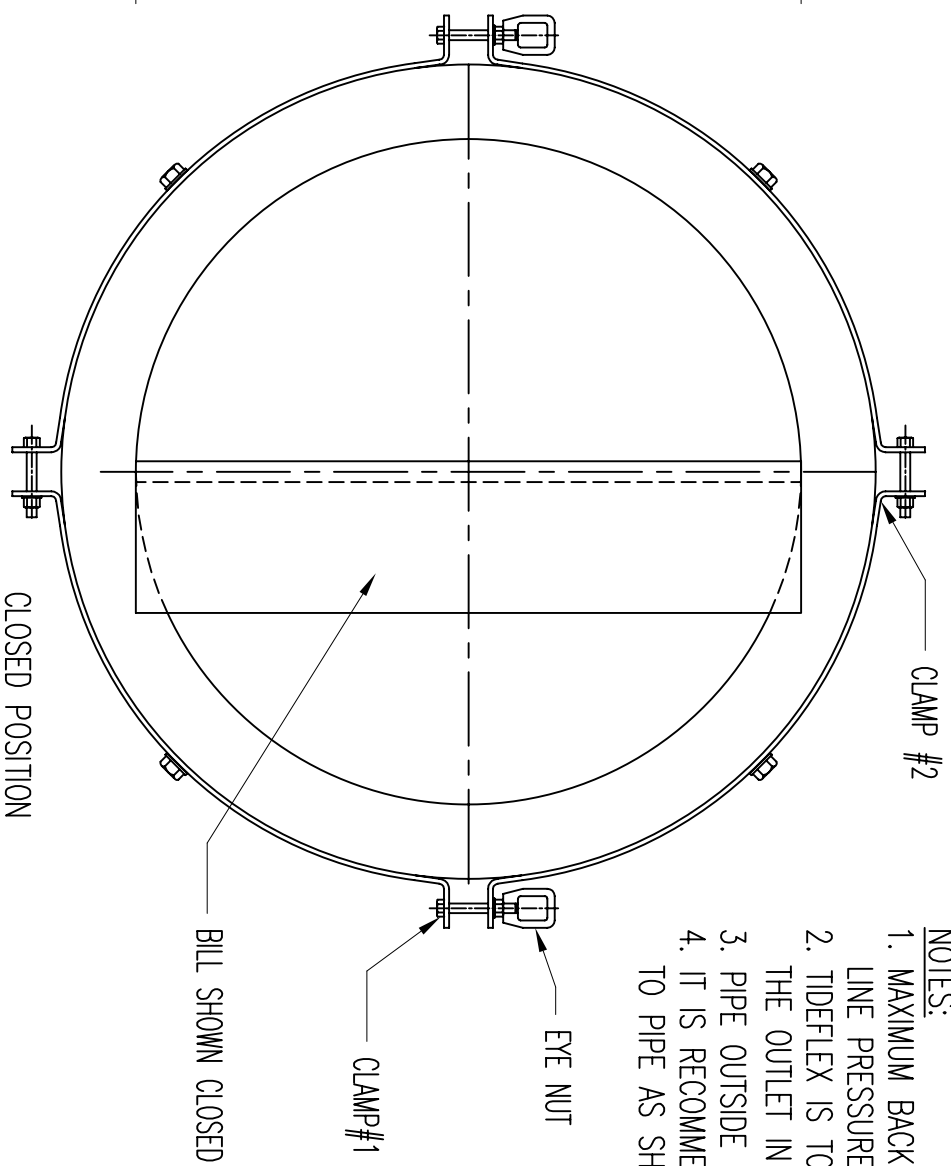
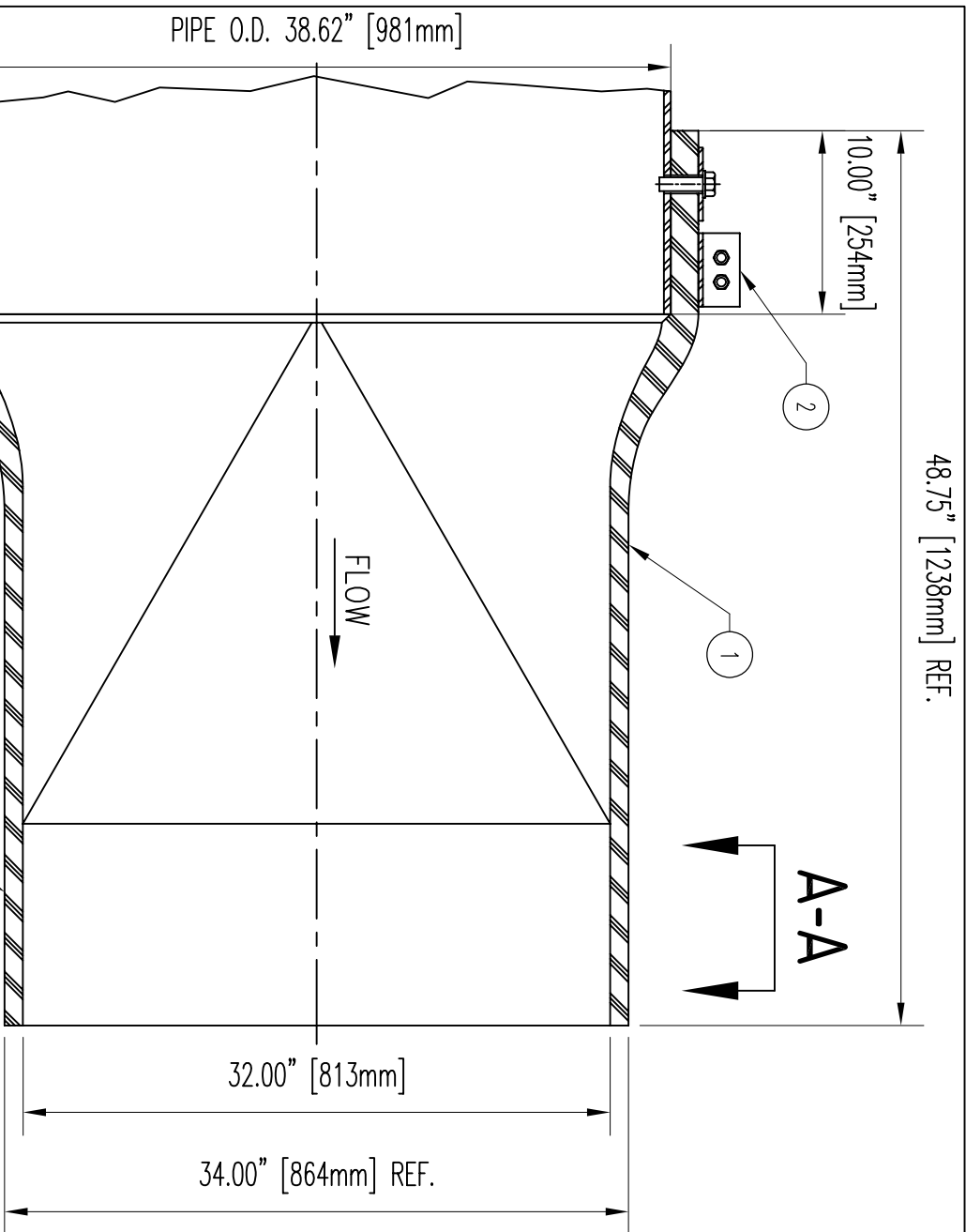
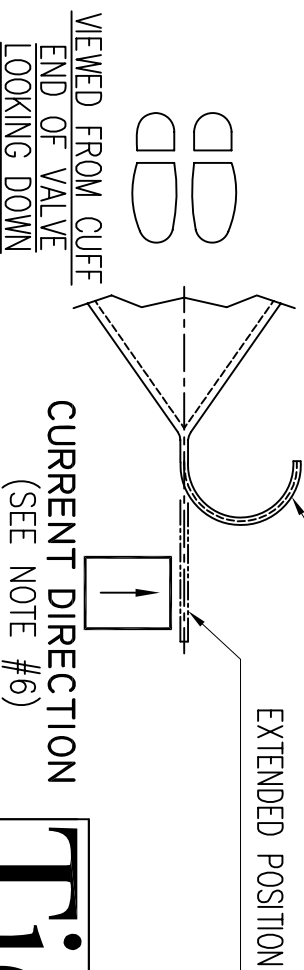
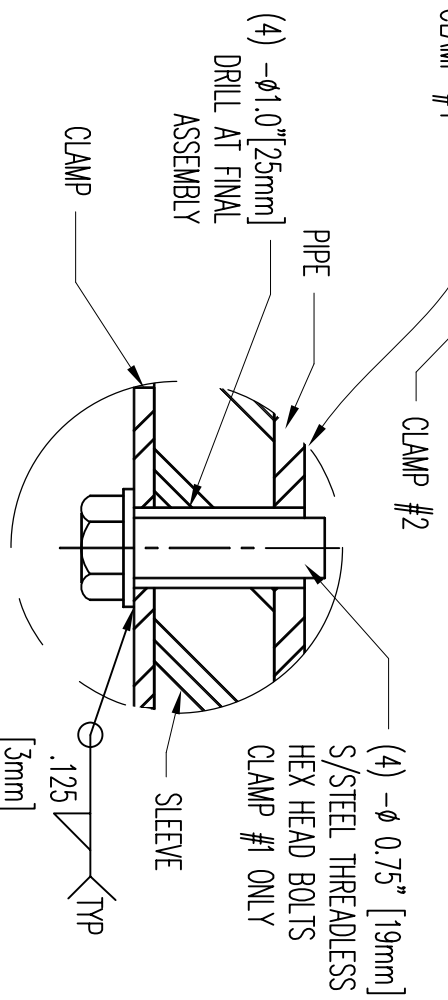


ITEM	QTY.	DESCRIPTION	MAT'L
1	1	CHECK VALVE SLEEVE	PGR/NEOPRENE COVER
2	2	MOUNTING CLAMP	316 S/STEEL



- NOTES:
1. MAXIMUM BACK PRESSURE - 0.35 BAR
 2. LINE PRESSURE - 0.2 BAR
 3. TIDFLEX IS TO BE MOUNTED WITH THE OUTLET IN THE VERTICAL POSITION
 4. PIPE OUTSIDE DIAMETER - 38.62" [981mm]
 5. IT IS RECOMMENDED TO BOLT OR PIN TIDFLEX TO PIPE AS SHOWN, 4 PLACES 90° APART



PIN PER NOTE #3 RECOMMENDED PINNING CONFIGURATION
(SUPPLIED BY CUSTOMER)(SEE I.O.M.) NOT TO SCALE

CUSTOMER: REGLER & VERFAHRENS-TECHNIK GMBH

ORDER No: 996260

THIS DOCUMENT CONTAINS PROPRIETARY INFORMATION OF TIDFLEX TECHNOLOGIES. IT IS LOANED BY TIDFLEX TECHNOLOGIES, SUBJECT TO THE CONDITIONS THAT IT AND THE INFORMATION EMBODIED THEREIN SHALL BE USED ONLY FOR RECORD AND REFERENCE PURPOSES. IT SHALL NOT BE USED OR CAUSED TO BE USED IN ANY WAY PREJUDICIAL TO THE INTERESTS OF TIDFLEX TECHNOLOGIES. IT SHALL NOT BE REPRODUCED OR COPIED IN WHOLE OR PART, OR DISCLOSED TO ANYONE WITHOUT THE DIRECT WRITTEN PERMISSION OF TIDFLEX TECHNOLOGIES AND SHALL BE RETURNED UPON REQUEST.

PROPRIETARY NOTICE

Tidflex
Technologies

A Division of Red Valve Company, Inc.

TT PRODUCT: 36" SERIES 37G CHECK VALVE WITH SLIP ON CUFF

TT PART No: 37G-360-APPROVAL

DR. BY: PAP DATE: 2-11-09 CHKD. BY: DATE:

CAD SCALE: FULL REV

PLOT SCALE: .10 DWG No: TTS-34556

SALES ORDER No: T09-0171-1

17. Feb. 2009
M. J. Regler
Regler & Verfahrens-
Technik GmbH

600 N. BELL AVE.
CARNEGIE, PA. 15106
Info@tidflex.com
412.279.0044
fax 412.279.5410